



# ENERSHIELD Air Barriers

Specializing in Energy Management Climate Control Systems

## Energy Saving Technology

Manufacturing & Design

16821 – 113 Avenue, Edmonton Alberta T5M 2X2

Phone (780) 482-4662 • Fax (780) 482-4074

Toll Free – 1-866-464-3667

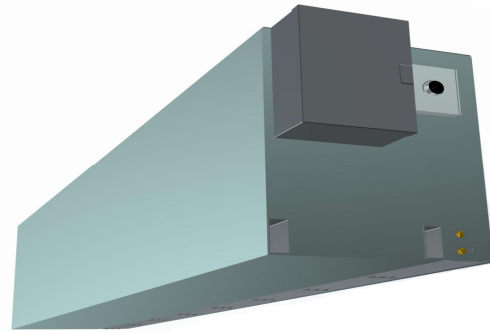
www.enershield.ca

## Durashield DS-120 - Air Barrier Specifications

Enershield Durashield model DS-120 is 120" / 3048mm in length. Powder coated 1/8" steel frame construction & 20 gauge G.90 sheet metal jacket, c/w acoustic insulation with acrylic anti-microbial coating. Air Barrier is provided with powder coated telescopic sliders & wall brackets. Top air intake is standard (optional front air intake available upon request). Integral NEMA 1 control panel incorporating photo electric cell door sensor for automatic activation upon door opening. Operating characteristics: 5 forward curved double inlet blowers providing Air Velocity = 4500 fpm, Air Volume = 14,125 cfm, Electrical: 208/1/60 Motors: 5 @ 1/2 hp = 2.5 hp total (1865 Watts): 208/1/60 = 3.7 amps each = 18.5 amps FLA (alternate voltages available see chart below). Variable motor speed control standard in 208/1/60 only. Weight = 500 lbs. Decibel rating is 74 dB at a distance of 10' from the unit. CSA Certified.

Warranty: 2 Yrs. Parts

Model	DS-120
Cabinet Length in./mm	120" 3048 mm
Height x Width	20" x 17 5/8" 508mm x 448mm
Weight	500 lbs. 227 kgs.
Fans/Blowers	5
Motors TEAO	5
Horse Power/Motor	1/2 hp 373 watts
Total Horsepower	2.5 hp 1865 watts.
Decibels	74 dB
Max FPM at Nozzle	4500 fpm 22.9 m/s
CFM at Nozzle	14,125 cfm 6,666 l/s
Outlet Velocity Uniformity	95%



Available Motors			
Operating Voltage:	575/1/60	460/1/60	208/1/60
Amp Draw (per motor) FLA	1.1 Amps ea = 5.5 FLA	1.35 Amps ea = 6.75 FLA	3.7 Amps ea = 18.5 FLA
<b>Totally enclosed air over design</b>			
* Variable motor speed control only available at 208/1/60			

nb: Additional information available on request  
3/20/2012