



# ENERSHIELD Air Barriers

Specializing in Energy Management Climate Control Systems

## Energy Saving Technology

Manufacturing & Design

16821 – 113 Avenue, Edmonton Alberta T5M 2X2

Phone (780) 482-4662 • Fax (780) 482-4074

Toll Free – 1-866-464-3667

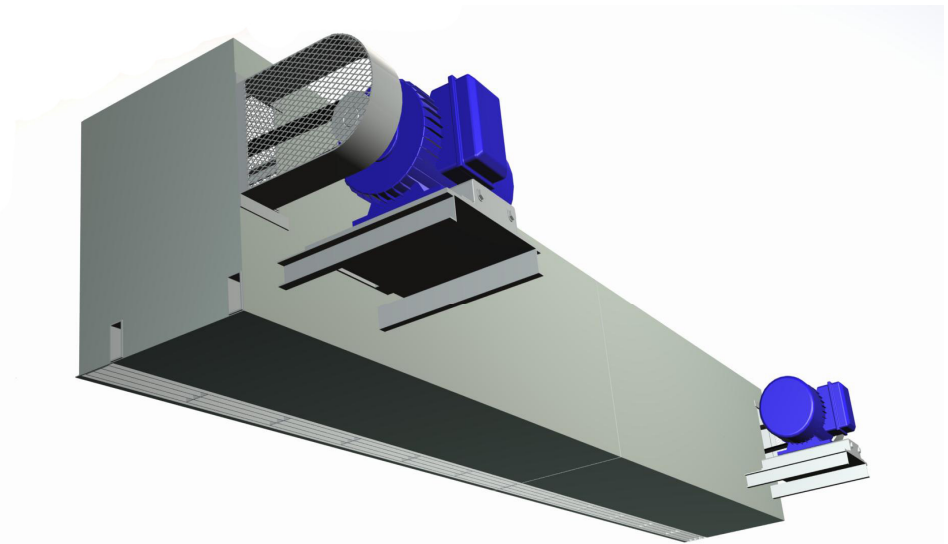
www.enershield.ca

## Ultrashield US-240 - Air Barrier Specifications

Enershield Ultrashield model US-240 is 240" / 6096 mm in length. Powder coated 1/8" steel frame construction & 20 gauge G.90 sheet metal jacket, c/w acoustic insulation with acrylic anti-microbial coated. Air Barrier is provided with powder coated telescopic sliders & wall brackets, lockable remote NEMA 1 control panel incorporating soft start and photo electric cell door sensor for automatic activation upon door opening. The Air Barrier is capable of spanning the opening without the need for intermediate support. Operating characteristics: 10 forward curved double inlet blowers providing Air Velocity = 6500 fpm, Air Volume = 39,750 cfm, Electrical: see chart below Motors: 2 @ 10 hp = 20 hp total (14,920 Watts). Weight = 1400 lbs. Decibel rating is 78 dB at a distance of 10' from the unit. CSA Certified.

Warranty: 2 yrs parts.

Model	US-240
<b>Cabinet Length in./mm</b>	240" 6096 mm
<b>Height x Width</b>	22"x 19 1/2" 559mm x 496mm
<b>Weight lbs/Kgs</b>	1400 lbs. 636 kgs.
<b>Horse Power</b>	10 hp 7,460 watts
<b>Fans/Blowers</b>	10
<b>Motors TEFC</b>	2
<b>Total Horsepower</b>	20 hp 14,920 watts
<b>Decibels</b>	78 dB
<b>Max FPM at Nozzle</b>	6500 fpm 33 m/s
<b>CFM at Nozzle</b>	39,750 cfm 18,760 l/s
<b>Outlet Velocity Uniformity</b>	95%



Available Motors			
<b>Operating Voltage:</b>	575/3/60	460/3/60	208/3/60 230/3/60
<b>Amp Draw FLA</b>	10.0 Amps	12.5 Amps	26.5Amps ea. 24.0 Amps ea.
<b>TEFC Motor 1750 RPM, IP55, VFD Compatible, T-Frame, 89.5% Eff.</b>			

nb: All units can be manufactured for a vertical application. Information available on request  
11/7/2011