



ENERSHIELD Air Barriers

Specializing in Energy Management Climate Control Systems

Energy Saving Technology

Manufacturing & Design

16821 – 113 Avenue, Edmonton Alberta T5M 2X2

Phone (780) 482-4662 • Fax (780) 482-4074

Toll Free – 1-866-464-3667

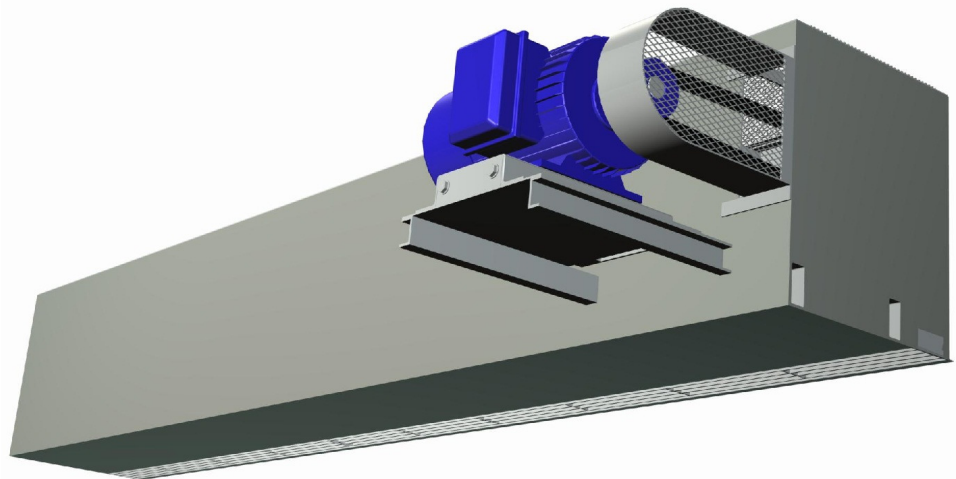
www.enershield.ca

Ultrashield US-96 - Air Barrier Specifications

Enershield Ultrashield model US-96 is 96" / 2438 mm in length. Powder coated 1/8" steel frame construction & 20 gauge G.90 sheet metal jacket, c/w acoustic insulation with acrylic anti-microbial coating. Air Barrier is provided with powder coated telescopic sliders & wall brackets, lockable remote NEMA 1 control panel incorporating soft start and photo electric cell door sensor for automatic activation upon door opening. Operating characteristics: 4 forward curved double inlet blowers providing Air Velocity = 6500 fpm, Air Volume = 15,900 cfm, Electrical: see chart below Motors: 1 @ 7.5 hp = 7.5 hp total (5595 Watts). Weight = 560 lbs. Decibel rating is 74 dB at a distance of 10' from the unit. CSA Certified.

Warranty: 2 yrs parts.

Model	US-96
Cabinet Length in./mm	96" 2438 mm
Height x Width	22" x 19 1/2" 559mm x 496mm
Weight lbs/Kgs	560 lbs. 255 Kgs
Horse Power	7.5 hp 5595 watts
Fans/Blowers	4
Motors TEFC	1
Total Horsepower	7.5 hp 5595 watts
Decibels	74 dB
Max FPM at Nozzle	6500 fpm 33 m/s
CFM at Nozzle	15,900 cfm 7500 l/s
Outlet Velocity Uniformity	95%



Available Motors			
Operating Voltage:	575/3/60	460/3/60	208/3/60
Amp Draw FLA	7.6 Amps	9.5 Amps	21 Amps ea.
TEFC Motor 1750 RPM, IP55, VFD Compatible, T-Frame, 89.5% Eff.			

nb: All units can be manufactured for a vertical application. Information available on request
4/17/2012